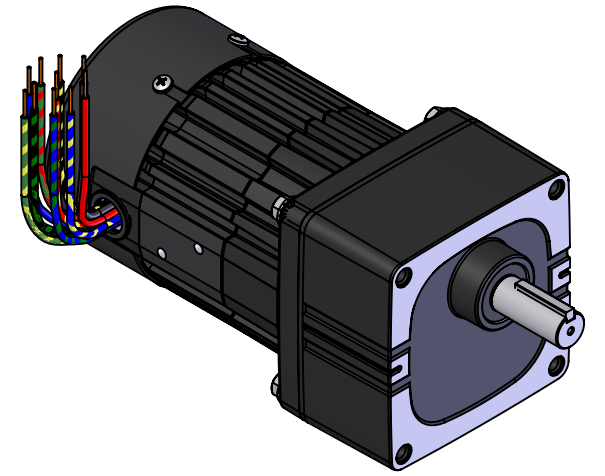
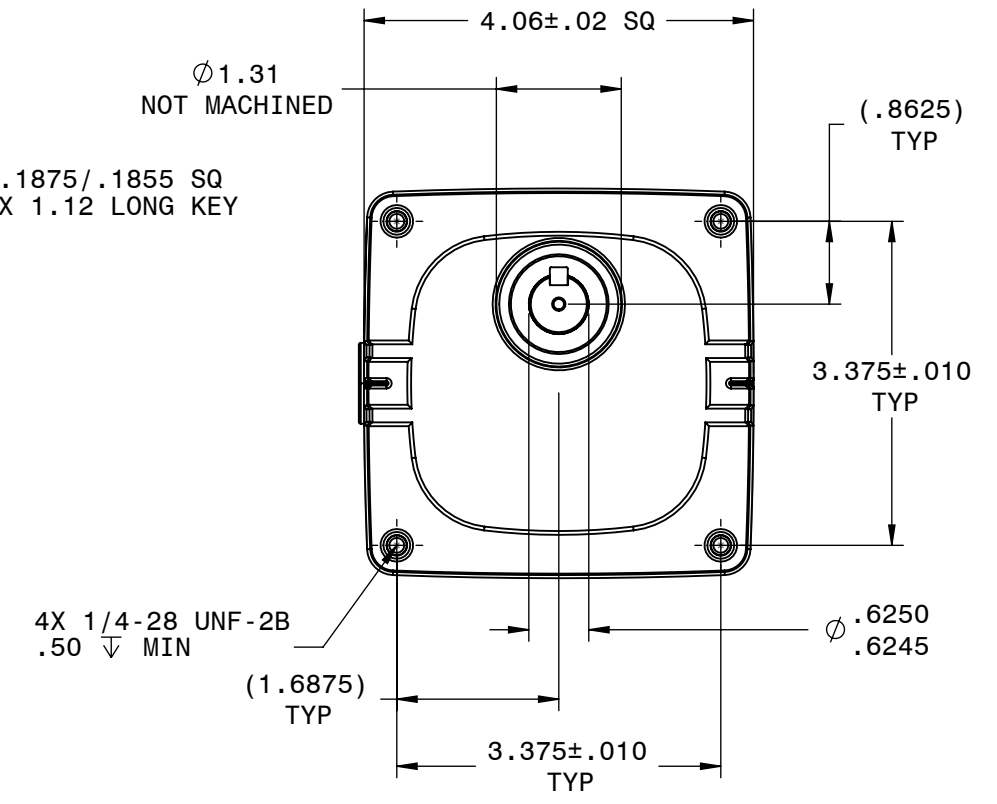
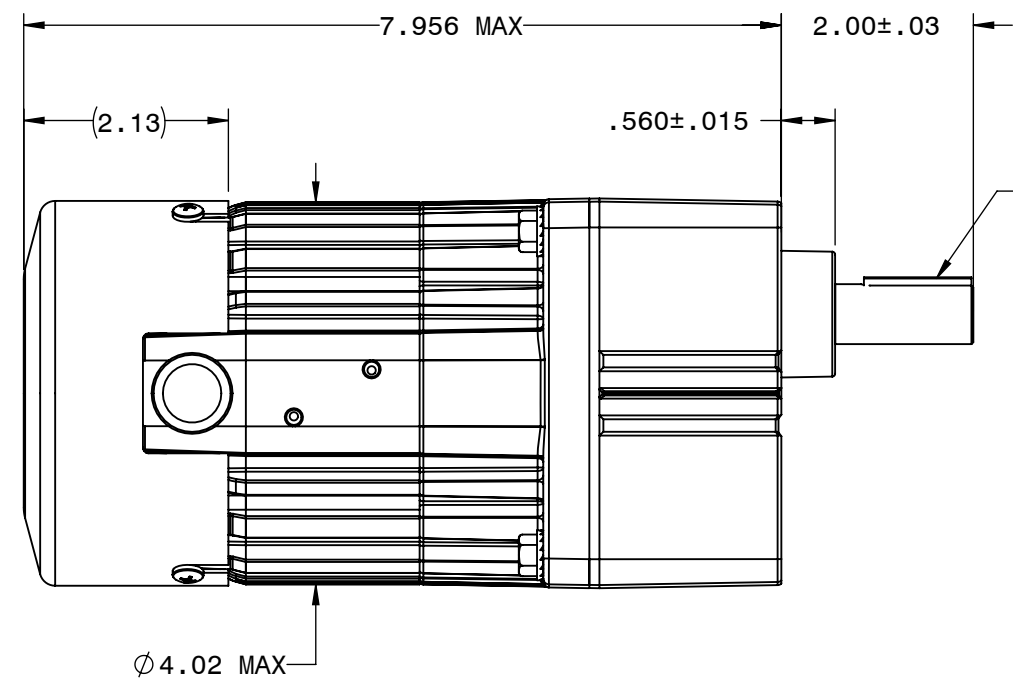
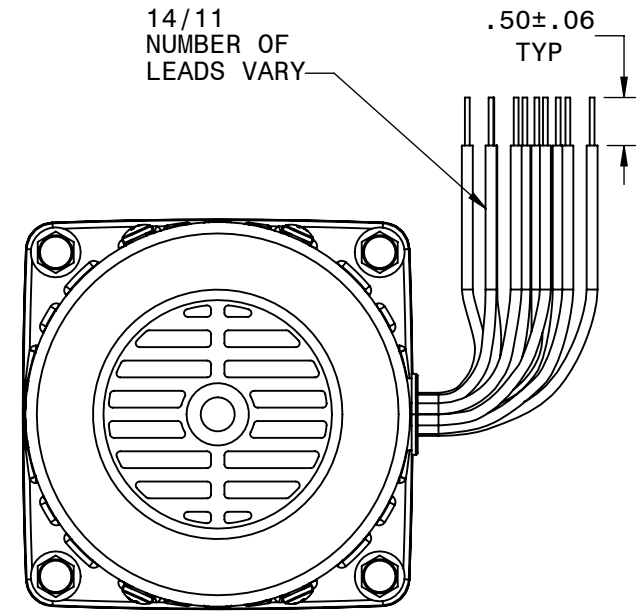
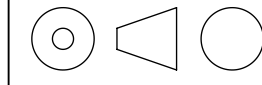


BODINE ELECTRIC COMPANY

PART NO./REV: INFM0413 A	
DESCRIPTION: GEARMOTOR 34R4BFPP-WX	
SHEET: 1/1	UNLESS OTHERWISE SPECIFIED:
SCALE: 1:2	UNITS ARE IN INCHES [mm]
<b>B</b>	TOLERANCES: .XX:±.01 .XXX:±.005
	ANGLES: X°:±3° X.X°:±0.5°



REPRESENTATIVE OF MODEL NUMBER(S):  
2833 2832 2831 2830 2829 2809 2808 2807 2806 2805 2804 2803