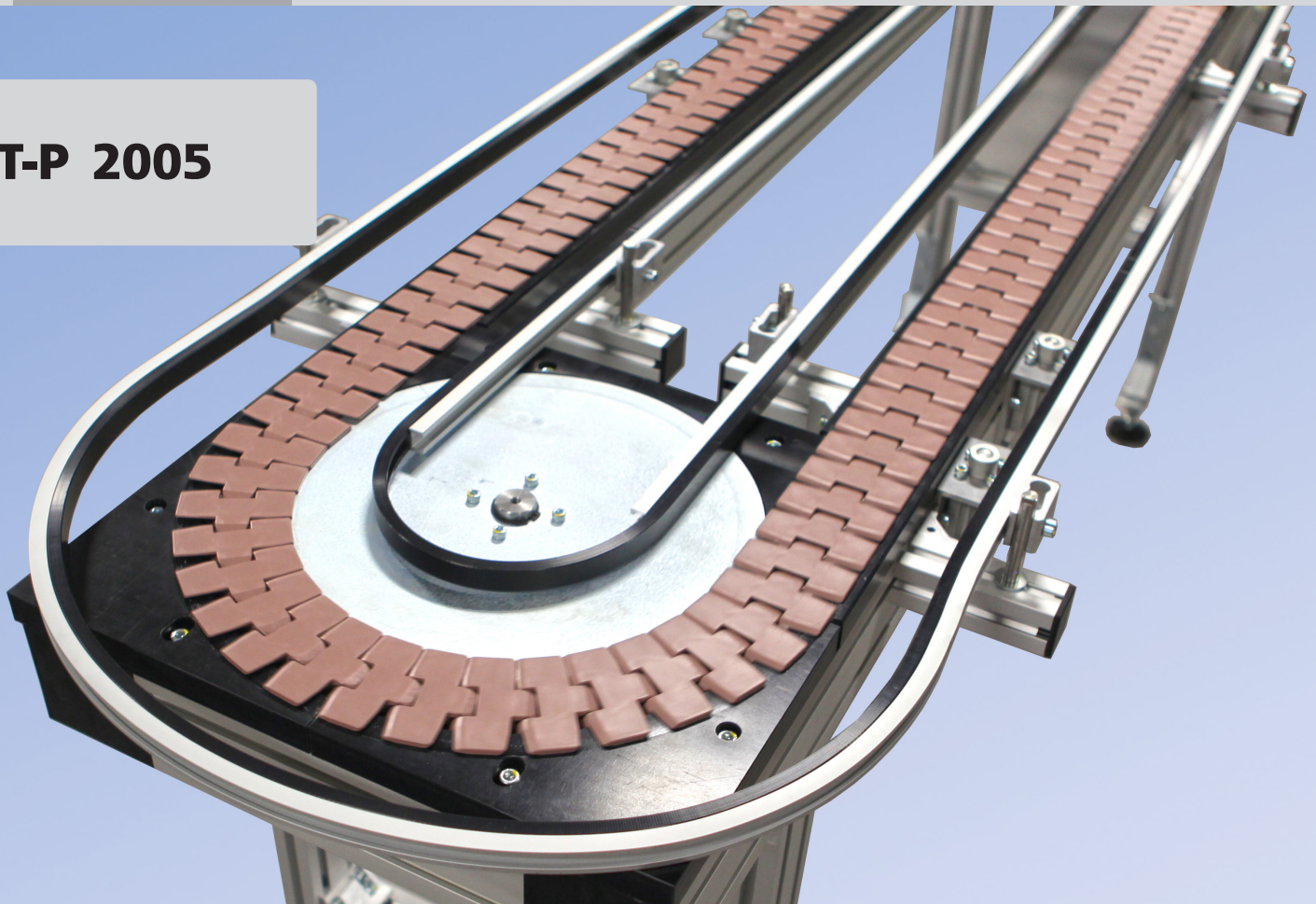


## SRT-P 2005



### *Recirculating Carousel Conveyor*

SRT-P 2005 Recirculating Carousel Conveyor, from mk North America; is designed to carry products and pallets in a continuous loop.

#### **Features**

- Continuous loop configuration: oval, L-shape and horseshoe
- Eliminates the need for transfer devices
- Full compliment of pallet stops and locating devices available
- Pallets also available

#### **Specifications**

- 3.25-inch wide chain (wider parts and pallets accepted)
- Positively driven via drive sprocket (motor under conveyor)
- Use at speeds of 30 fpm or less

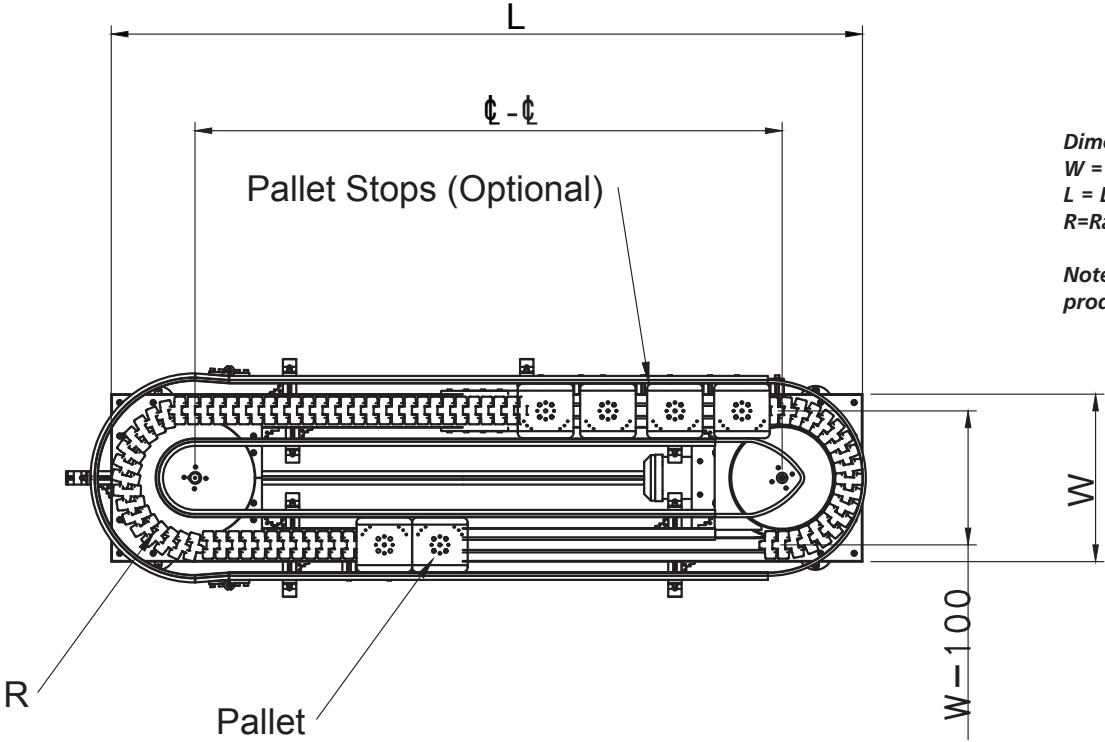


[www.mknorthamerica.com](http://www.mknorthamerica.com)  
**860.769.5500**  
[sales@mknorthamerica.com](mailto:sales@mknorthamerica.com)

*better products. better solutions.*

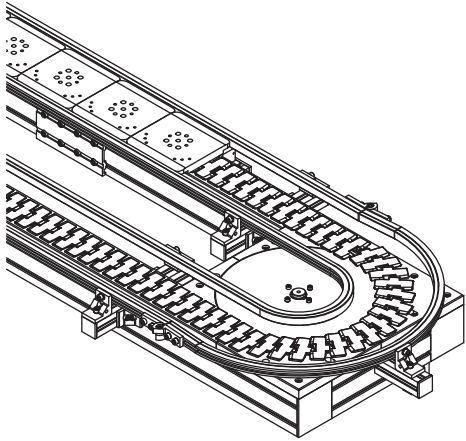
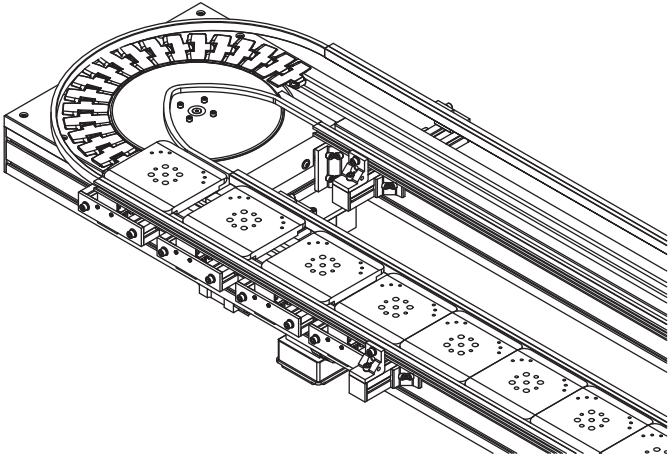
**NORTH AMERICA, INC.**  
**mk**  
a member of the mk Technology Group

# Recirculating Carousel Conveyor



Dimensions shown in mm.  
 W = Width  
 L = Length  
 R = Radius

Note: Minimum radius dependent on product and pallet size.



Information subject to change without notice.



[www.mknorthamerica.com](http://www.mknorthamerica.com)  
 860.769.5500  
[sales@mknorthamerica.com](mailto:sales@mknorthamerica.com)

better products. better solutions.

